



SN-400U



Features

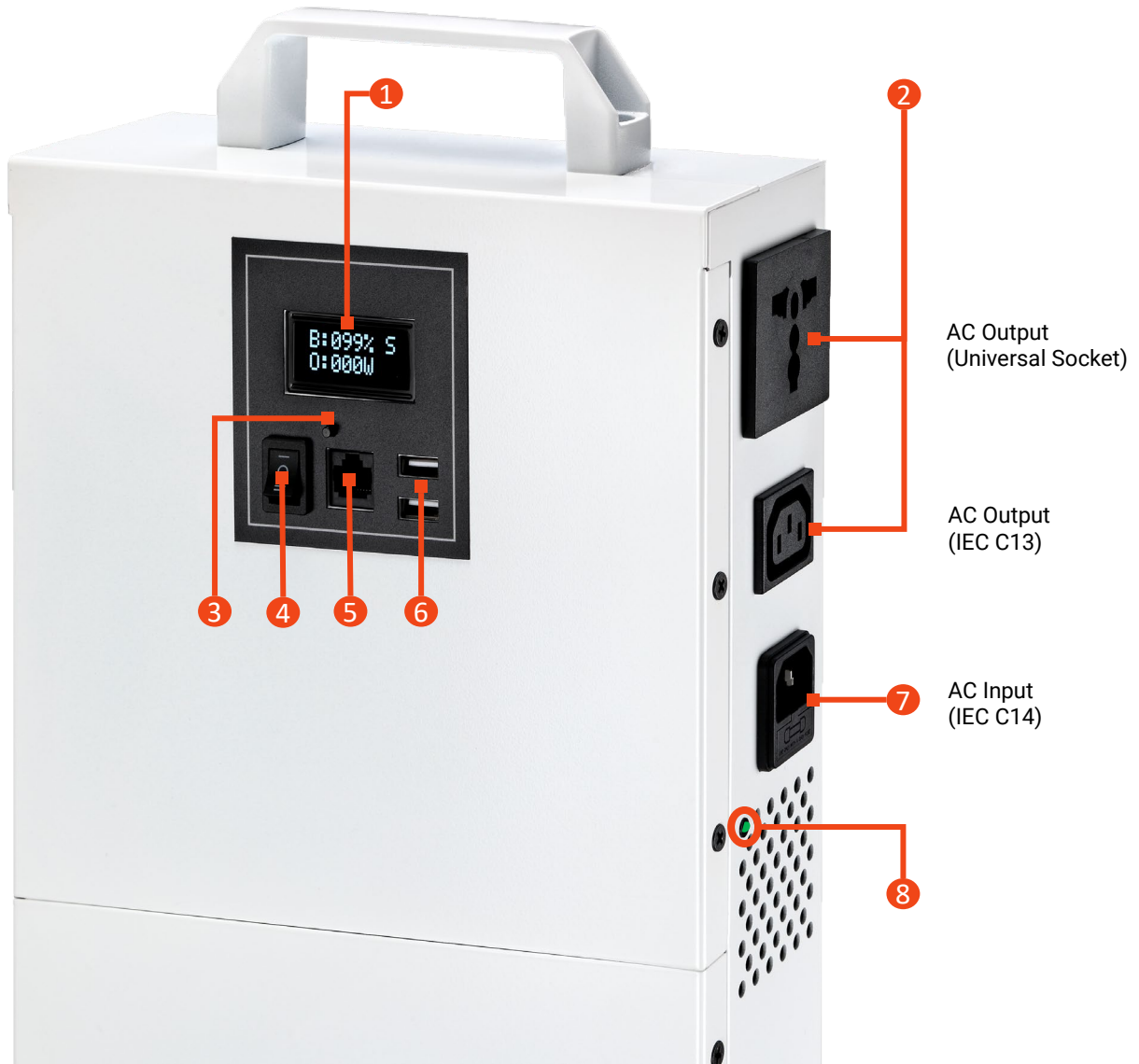
- NEW** Mobile Cart Power System 150Wh
- NEW** Smart Display & Quick Charge USB Type C
- Bi-directional Inverter and Charger
- AC bypassing & Charging
- Pure Sine Wave Output
- Energy Saving Mode
- Settings Fully Adjustable by Display Button
- Intelligent Fan Control
- Multi Shutdown Protections: High Voltage / Low Voltage / Short Circuit / Overheat / Overload
- 100% Made in Taiwan

Model		SN-400U
System		
Continuous Power	400W	
Surge Power	800W	
Output Voltage	EU: 220/230/240 VAC (⚙️ BTN)	
Output Waveform	Pure Sine Wave	
Total Harmonic Distortion	< 3%	
Output USB Port	USB Type A x 1, USB Type C x 1 (Quick Charge 3.0)	
Standby Current (Normal/Saving)	< 0.5A / <0.1A	
Output Regulation	< ±5% Intelligent PWM	
Output Frequency	50/60 Hz (⚙️ BTN)	
Battery Voltage	20~30V	
Efficiency	> 85%	
Protection		
Battery Low Voltage Protection	DC 24V: < 21.0V Pre-Warn, < 20V Auto Shutdown (± 0.5V)	
Short Circuit Protection	Yes	
Overheat Protection	> 90°C Pre-Warn, > 95°C Auto Shutdown	
Overload	Pre-Warn	> 110%
	Auto Shutdown	> 120%
Cooling	Intelligent Fan / Force Cooling (⚙️ BTN)	
Mechanical		
Fuse	15A x 2PCS	
AC Outlets	EU: 1	
Dimension (LxWxH)	360 x 230 x 90 mm	
Net Weight	9.0 kg	
Display	8x2 OLED	
RC Accessory	RC-S-SN	
Battery Charger		
Battery Type	Lead Acid Battery	
Battery Capacity	150Wh (approx. 400W@10mins, 150W@45mins, 25W@8hrs)	
Charging Current	5 ± 0.5A	
AC Input Voltage	EU: 220/230/240 VAC	
Power Auto-Switch	AC LINE -> INVERTER; INVERTER -> AC LINE	
Switching Time	AC LINE -> INVERTER: < 16ms; INVERTER -> AC LINE: < 20ms	
Note (⚙️ BTN): Adjustable in display menu by Button		



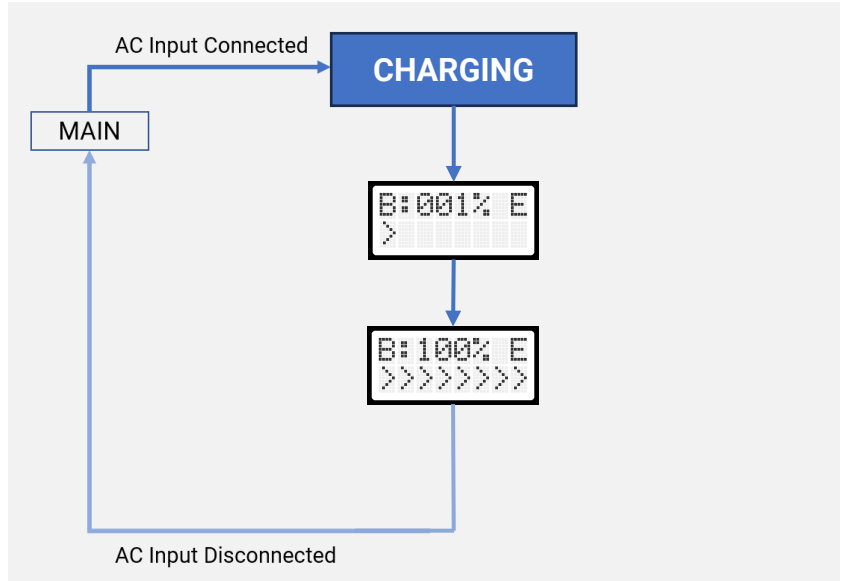
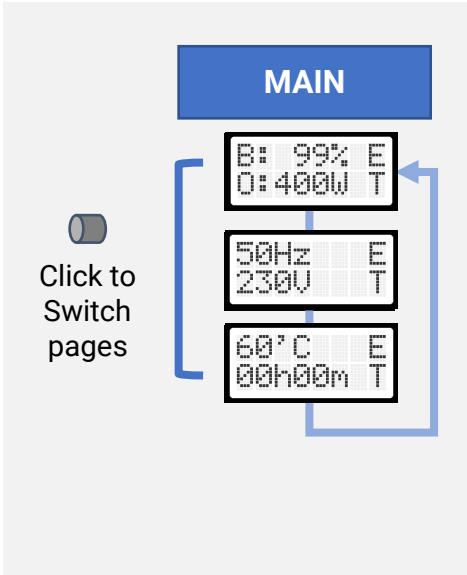
■ Panel & Dimensions

- ① 8x2 Display
- ② AC Output x 2
- ③ Display Select Button
- ④ Main Switch
- ⑤ Remote Port
- ⑥ USB Ports (Type C x 1, Type A x 1)
- ⑦ AC Input (with Fuse)
- ⑧ AC Input Indicator





8x2 Smart Display : Display Button



When encountering Protection events

