



# Portable Pure Sine Wave UPS

# SN-U Series



SN-3000U



### Features

- Mobile Cart Power System 150Ah
- Smart Display & USB Type-A (QC 3.0)
- Bi-directional Inverter and Charger
- Pure Sine Wave Output
- Power Saving Mode
- Settings Fully Adjustable by Display Buttons
- Intelligent Fan Control
- Multi Shutdown Protections: High Voltage / Low Voltage / Short Circuit / Overheat / Overload
- 100% Made in Taiwan

Model	SN-3000U	
<b>System</b>		
Continuous Power	3000W	
Surge Power	7000W	
Output Voltage	AC 230V	
Output Waveform	Pure Sine Wave	
Total Harmonic Distortion	< 3%	
Output USB Port	USB Type A x 2 (Quick Charge 3.0)	
Standby Current (Normal/Saving)	< 0.5A / <0.1A (⚙️ BTN)	
Output Regulation	< ±5% Intelligent PWM	
Output Frequency	50/60 Hz (⚙️ BTN)	
Battery Voltage	20~30V	
Efficiency	> 85%	
<b>Protection</b>		
Battery Low Voltage Protection	DC 24V: < 21.0V Pre-Warn, < 20V Auto Shutdown (± 0.5V)	
Short Circuit Protection	Yes	
Overheat	> 90°C Pre-Warn, > 95°C Auto Shutdown	
Overload	Pre-Warn	> 110%
	Auto Shutdown	> 120%
Cooling	Intelligent Fan / Force Cooling (⚙️ BTN)	
<b>Mechanical</b>		
AC Outlets	6	
Dimension (LxWxH)	570 x 452 x 386 mm	
Net Weight	57.5 kg	
Display	8x2 LCD	
<b>Battery Charger</b>		
Battery Type	LiFePO <sub>4</sub> (GiB24150, Grand Energy Manufacturing Co. Ltd.)	
Battery Capacity	150Ah	
Charging Current	10 ± 1A	
AC Input Voltage	230V	
Note(⚙️ BTN): Adjustable in display menu by Button		



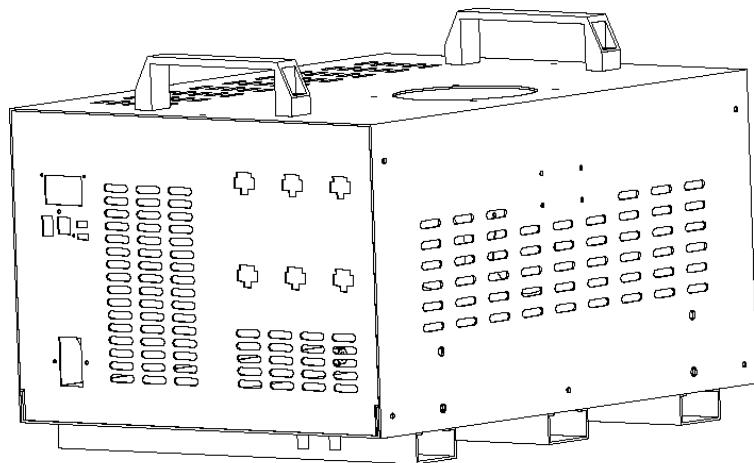
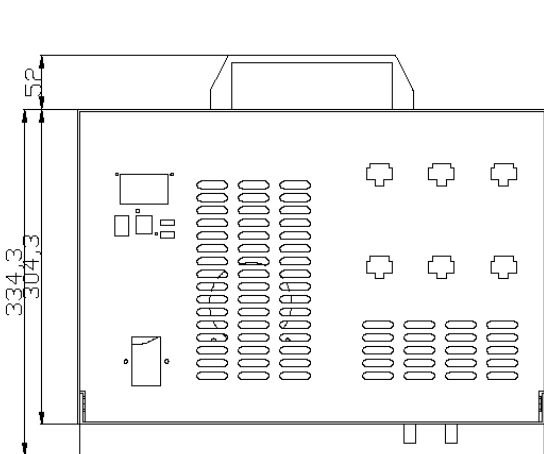
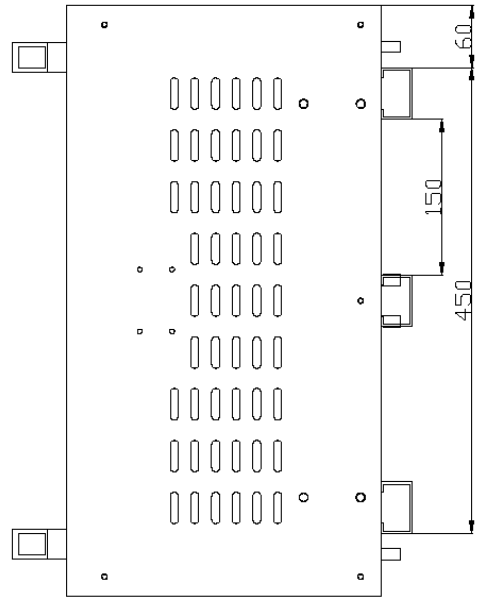
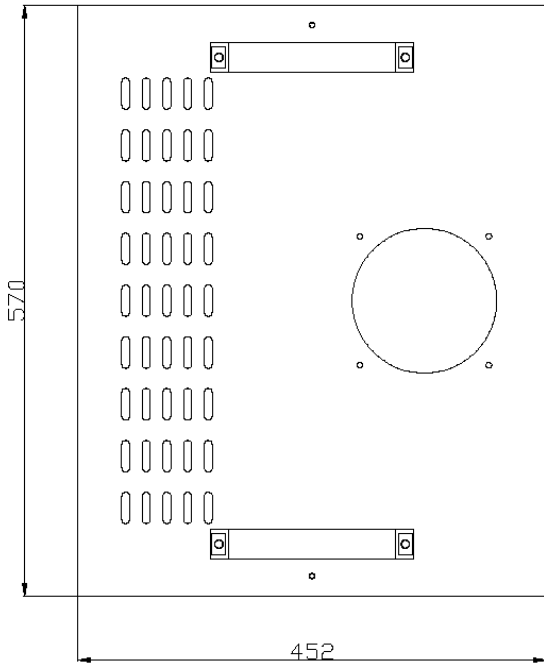
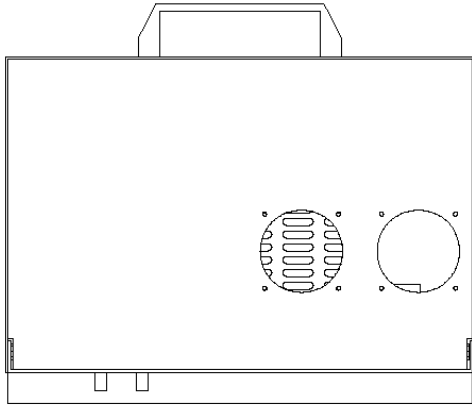
## ■ Panel & Dimensions

- ① 8×2 Display
- ② AC Output × 6
- ③ Display Select Button
- ④ Main Switch
- ⑤ USB Ports (Type A QC3.0 x 2)
- ⑥ AC Input (with Fuse)



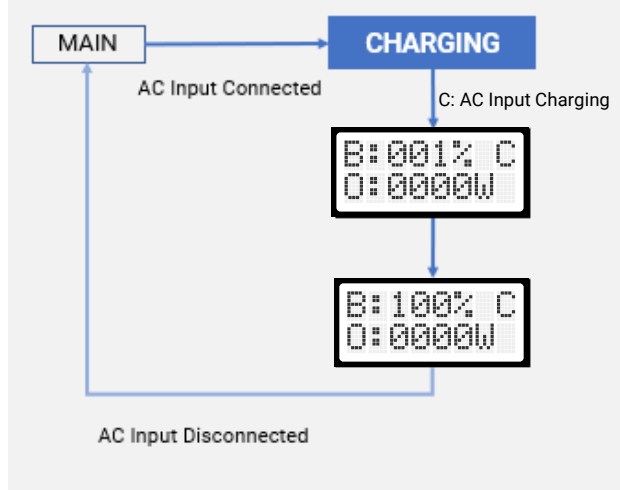
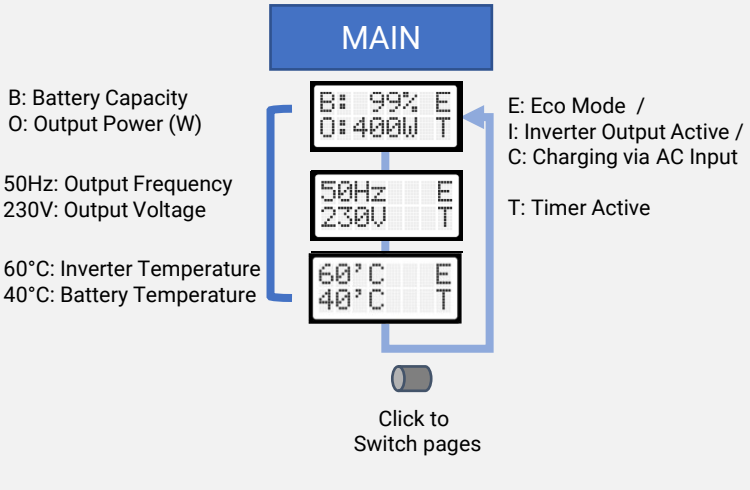


■ Mechanical Drawing





## 8x2 LCD Smart Display : Display Button



When encountering Protection events

